

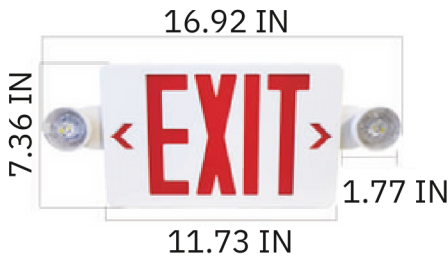
FEATURES

- Meets or exceeds UL 924, Emergency Lighting and Power Equipment CSA C.22.2 No. 141-15. Injection-molded, flame-retardant and high impact thermoplastic ABS housing. 100- 277V AC universal voltage operation. This twin head exit sign combo light is great for placing on doorways, school, restaurant, office building and warehouses.
- The emergency exit sign lights built-in Ni-Cd AA 3.6V 1000mA backup battery provides minimum 90 minutes of emergency operation during a power outage and safe for charging.
- THREE mounting options for this exit sign combo are available: end mount, hang mount and ceiling mount(canopy included). The led exit lights fits standard size junction boxes, suitable for indoor damp location- Universal (top or back) mounting.
- This emergency signs luminaire can be used in a 100V-277V circuit for use at home, commercial and industrial lighting. It is suitable for apartments, churches, shopping malls, supermarkets, schools, hotel, restaurant etc.
- Our LED emergency lights are offered high quality products at affordable prices backed by 5 year warranty and professional after-sales support

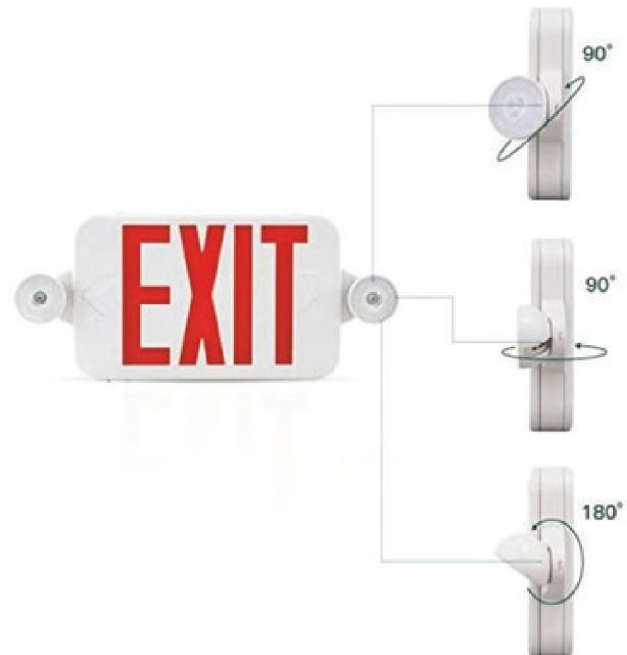
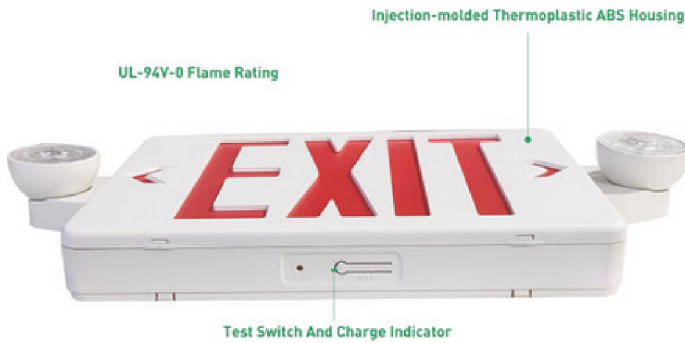
LED EMERGENCY LIGHT DM-EM119



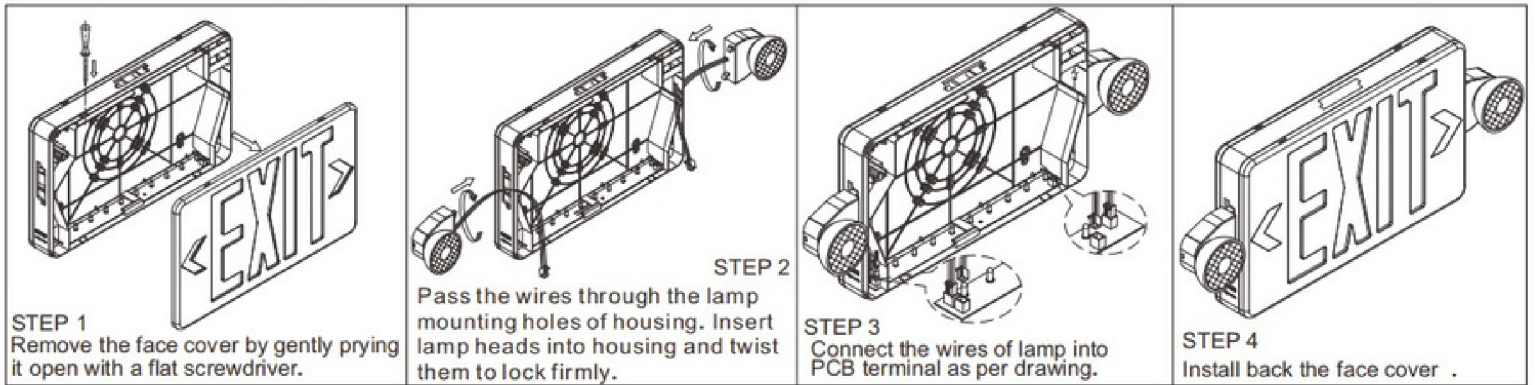
DIMENSIONS



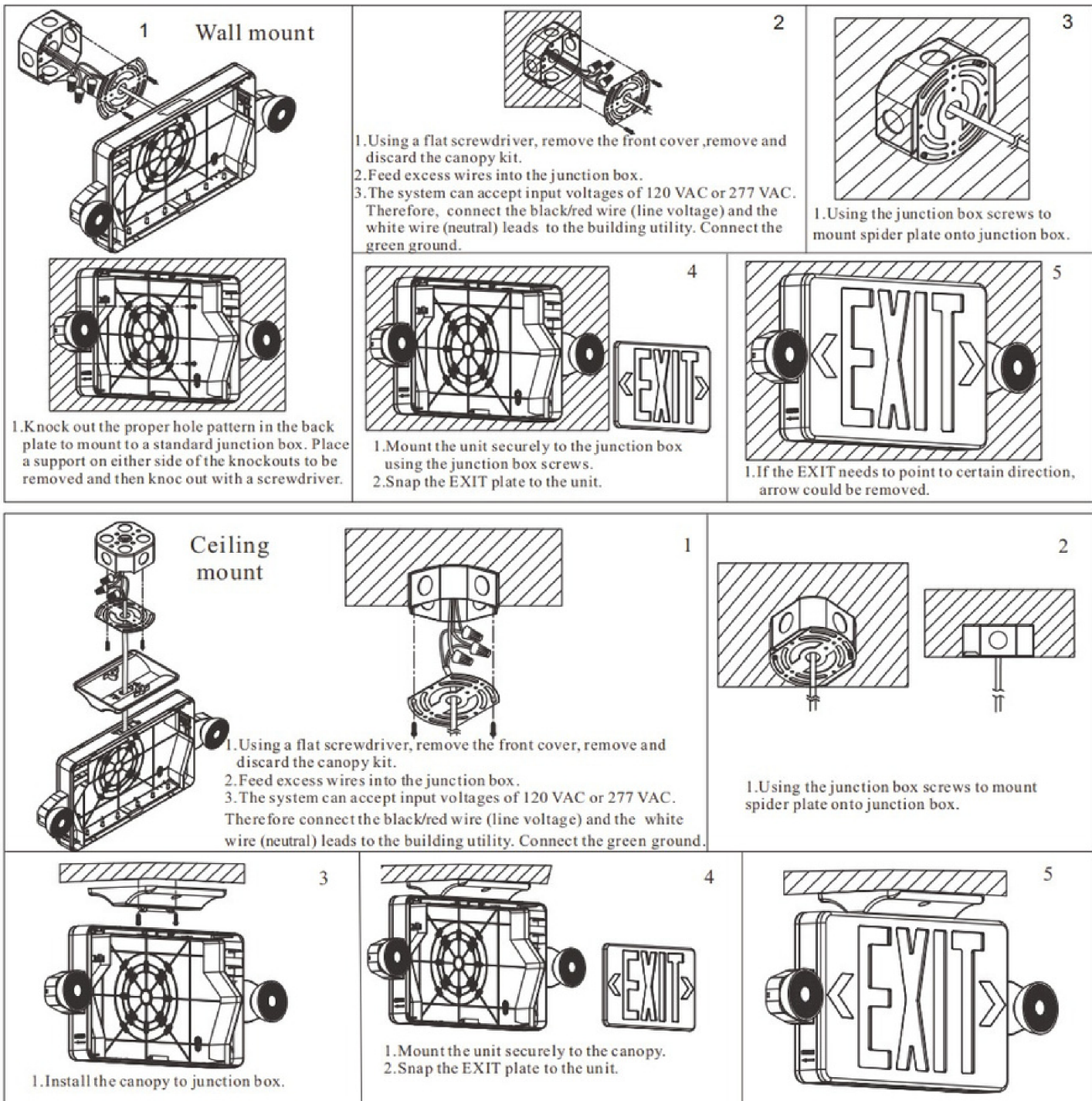
PRODUCT DISPLAY



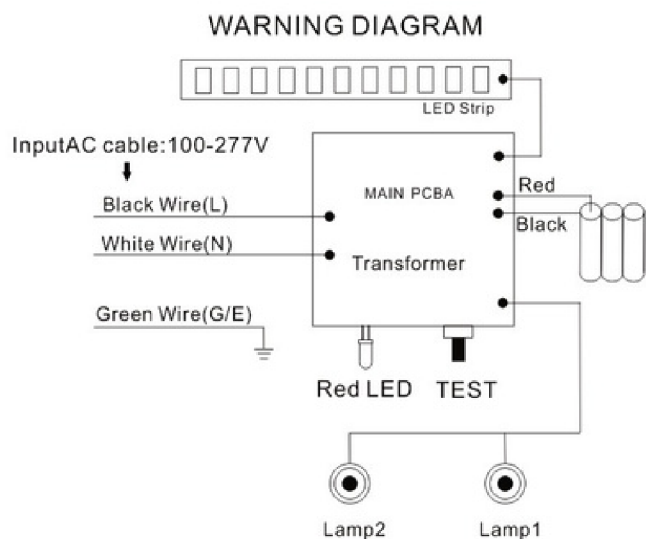
INSTALLATION OF LAMP HEADS



INSTALLATION DIAGRAM



WARNING:
Unused wires must be capped using enclosed wire nuts



ELECTRICAL PARAMETERS

Working voltage: 120V ; 277V 50Hz/60Hz
Input Wattage: 5W
Input Current: 0.04 A
Efficiency: 0.86 P
Recharge time: 24 hrs
Output Wattage: 1W-2W
Plug-in LED: $\Phi 5$ Red*12pcs
Lead-Acid Battery: 3.6V/1000mAh
Emergency duration: ≥ 90 mins
Product size: 430*187*45 mm