



PROJECT: _____
 CATALOGUE #: _____
 FIXTURE TYPE: _____
 NOTES: _____

FEATURES

INTENDED USE

This LED Architectural Flush Mount ceiling fixtures with 90 minutes battery back emergency feature and PIR motion sensor come in 16 inches diameter design. It is ideal for corridor and accent lighting in homes, hotels, motels and property management applications.

CONSTRUCTION

Beautiful brushed nickel finish, and 16-inch size. The modern style combined with the even light distribution makes this light a perfect addition to every room available in a home.

OPTICS

Our Double ring Flush mount lighting with high-power 2835 LED chips save energy up to 80% than halogen lamp, Over 50,000 hour lifespan. Creating warm soft attractive fashionable atmosphere to your home. High color rendering index up to 80CRI, enables the user to see the color of things as it really is.

ELECTRICAL

This lighting fixture also includes a color adjustable option, letting you choose either 3000K, 4000K or 5000K with a simple switch; The 120° beam angle grants you smooth lighting; This round LED light will save you a significant amount of money in its lifetime.

INSTALLATION

Installation is quick and easy; just link the LED emergency controller to the backup battery; connect the wires; and screw the fixture to the outlet box; Screws, wire nuts and all installation accessories are provided; Refer to install instructions for detailed steps.

LISTINGS

ETL certification to guarantee top quality products and safety.

WARRANTY

5-year limited warranty. Complete warranty terms located at: www.epoweron.com

NOTE:

Actual performance may differ as a result of end-user environment and application. All values are design or typical values, measured under laboratory conditions at 25C. Specifications subject to change without notice.

LED DOUBLE RING FLUSH MOUNT EM MG01FM003



SPECIFICATIONS

SKU	Rated Voltage	Rated Wattage	Power Factor	Dimmable	Lumens	CRI	CCT	SIZE
MG01FM00300100	120V-277V	18W	>0.9	0-10V	1400LM	80	3000/4000/5000K selectable	14"

DIMENSIONS

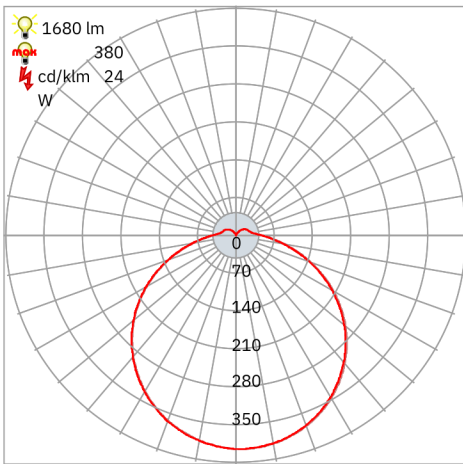
ITEM	D	H
MG01FM00300100	14"	3.8"



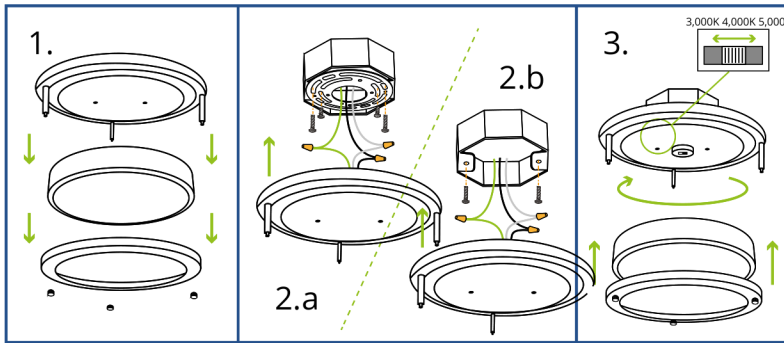
1010 Martin Luther King Jr. Pkway.
 Suite 200
 Durham, NC 27713
www.epoweron.com

Contents are subject to change without notice.

LIGHTING DISTRIBUTION



INSTALLATION STEPS



Step1: Unscrew three cap nuts counter-clockwise, remove metal ring and the lens.

Step2:

a, For single CCT fixtures. Attach the mounting bracket to the junction box using screws. Connect the wires: Black to Black, White to White, Green to Green. Carefully tuck all wires back into the junction Box.

b, For 3CCT fixtures. Attach two screws to the junction box. Connect the wires: Black to Black, White to White, Green to Green. Carefully tuck all the wires back into the junction box.

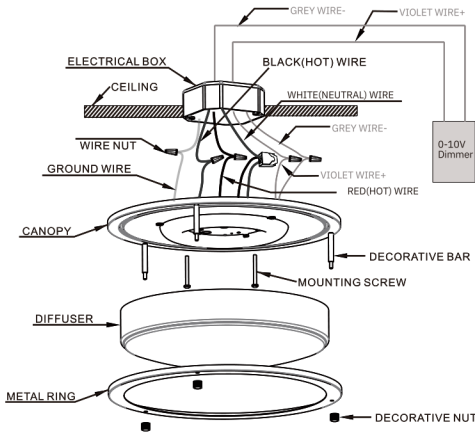
Step3:

Place the fixture pan over the mounting bracket and feed fixture screws through keyhole slots. Rotate the fixture pan clockwise until screws lock into the narrow end of the keyhole slots and tighten screws firmly. Secure the lens and metal ring to fixture pan using three cap nuts. For fixtures with color adjustable option choose either 3000K, 4000K or 5000K with a simple switch.

PACKING STRUCTURE

Model Number	Inner pack			Outer pack						Pallet(H 84")	
	Length (in)	Width (in)	Height (in)	Pieces	Width (in)	Length (in)	Height (in)	Pieces	G.W (LBS)	Cases	Pieces
MG01FM00300100	16.75	3.91	16.75	1	17.46	16.54	17.46	4	44.24	24	96

OPERATION GUIDANCE



a. Automatic on/off

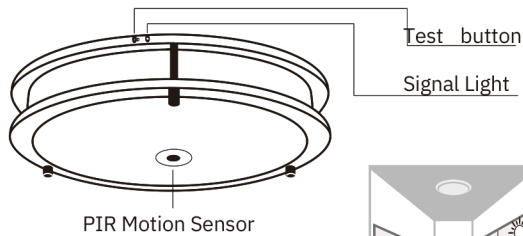
This light contains battery, The light will turn on in darkness. If power is out, the light will automatically come on and will last for 1.5 hours.

Charging Time

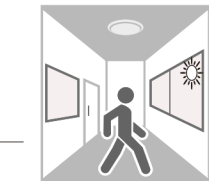
Charging time: 25-35hrs

b. PIR Motion Sensor

Refer to the following Fig.



Please press the left button on the light to test the battery function. If the signal light will turn on when you press the button, then the battery can be charged very well.



With sufficient daylight, even when motion detected, light remains OFF.



With insufficient daylight, when motion detected, light turns ON.



After the last detection and the present hold time has elapsed, light turns OFF.