

FEATURES

INTENDED USE

Provides general illumination in commercial and residential applications. Ideal for use in foyers, hallways, corridors, living rooms, bedrooms, offices, stairways and more.

CONSTRUCTION

LED unit entry vanity light applies new material to create a cozy environment, giving no humming and makes this fixture completely glare-free providing more natural light.

OPTICS

The unit entry vanity light use the world's leading LED chips with higher lumens and lower power, saving you up to 90% in energy costs.

ELECTRICAL

Fixture operates at 120 volts, 60Hz.
 18"unit standard input = 12watts, 80 lumens per watt.

DIMMABLE

Seamless dimming capabilities (100%-10%) to suit any mood or decor. Our baffle trim recessed lighting fixtures offer instant start up with no warm up. Easily adjust sizing to fit.

INSTALLATION

Follow our installation guide for a quick and easy setup. Suitable for damp locations. Directly install retrofit fixture to the ceiling J-box in your kitchen, family room, bedroom, bathroom, and common areas in your home or office.

LISTINGS

ETL certified to be brighter than existing fixtures in your home.

WARRANTY

5-year limited warranty. Complete warranty terms located at:
www.epoweron.com

NOTE:

Actual performance may differ as a result of end-user environment and application.
 All values are design at typical values, measured under laboratory conditions at 25C.
 Specifications subject to change without notice.

UNIT ENTRY VANITY LIGHT



SPECIFICATIONS

ITEM	Voltage	Wattage	Lumens	CCT	CRI	Finish	Environment	Dimming	Size
EPUE01100101	120V	12W	960Lm	3000K/4000K/5000K Selectable	80	Brushed Nickel/Black	WET Location	TRAIC (10-100%)	18"

Manufactured by:

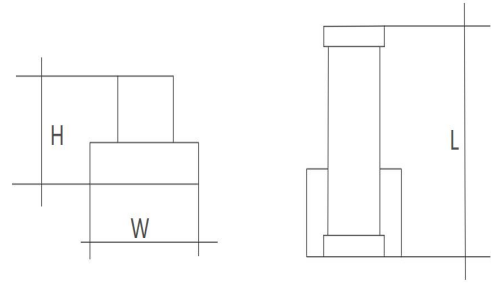


1010 Martin Luther King Jr. Pkway.
 Suite 200
 Durham, NC 27713
www.epoweron.com

Contents are subject to change without notice.

DIMENSIONS

Model Number	Size	H	W	L
EPUE01100101	18"	3.92"	4.49"	18"

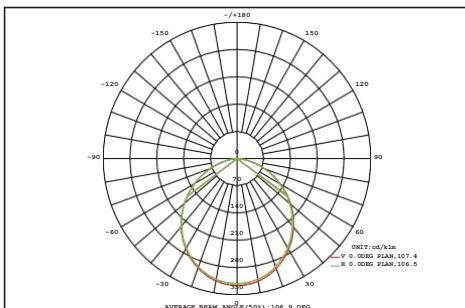


TEST REPORT

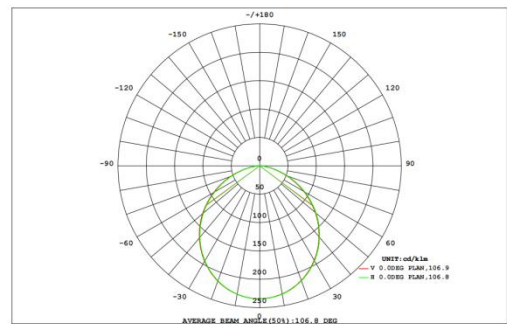
ITEM	Voltage	Wattage	Withstand voltage test	Ringing wave test (L-N)	Ringing wave test (L/N-G)
EPUE01100101	120V	12W	1500VAC 1 Minute	1000V	2500V

LIGHTING DISTRIBUTION

LUMINAIRE PHOTOMETRIC TEST REPORT FOR 6"



LUMINAIRE PHOTOMETRIC TEST REPORT FOR 4"

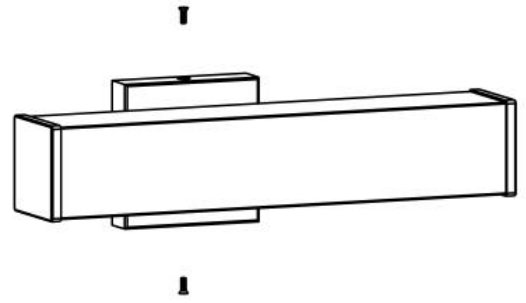
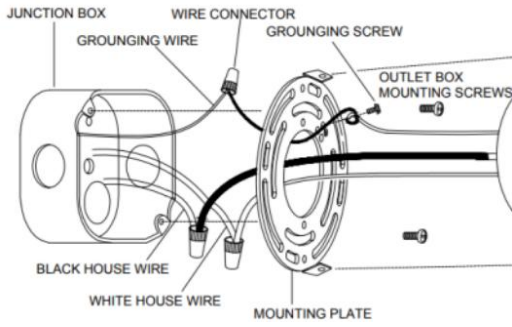


Manufactured by:

1010 Martin Luther King Jr. Pkway.
Suite 200
Durham, NC 27713
www.epoweron.com

Contents are subject to change without notice.

INSTALLATION STEPS



- 1、 Pull the power supply wires out from the outlet box, Attach the mounting bracket to the outlet box using two screws ,
- 2、 Connect the wires :Black to Black, White to White, Green to Green. Secure the connection with wire nuts,
- 3、 Place the fixture back plate of the lamp over the mounting bracket, Insert the fixture screws and tighten to secure the fixture on the surface

Steps for Surface Mount Installation

PACKING STRUCTURE

Model Number	Inner pack				Outer pack					Pallet(H 84")	
	Length (in)	Width (in)	Height (in)	Pieces	Width (in)	Length (in)	Height (in)	Pieces	G.W (LBS)	Cases	Pieces
EPUE01100101	18.58	5.12	4.33	1	19.18	21.28	22.45	20		12	240