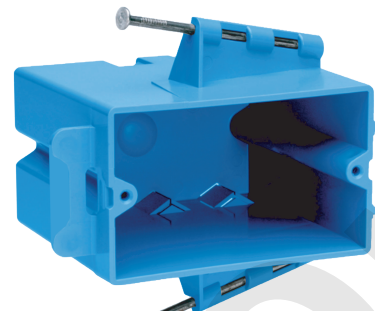
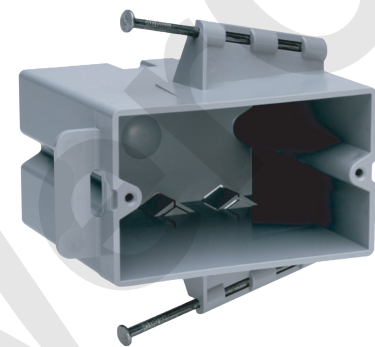


AMERICAN PLASTIC BOX

MODEL NUMBER	APBSF1GN
CUBIC CAPACITY	22 Cubic Inches
DESCRIPTION	New Work; 1-Gang; Captive Nail Mounting; Switch & Outlet Box; Horizontal. Four V-clamps
MATERIAL	PPO
MOUNTING MEANS	Nails
PRODUCTS SIZE L×W×D	3-3/4"×2-1/4"×3-4/5"
OUTER BOX SIZE L×W×D(CM)	54×34×29.5
STD. CTN. QTY.	100 Pcs
CERTIFICATIONS	ISO9001, ISO14001, ETL5010519, 2-hour fire rating
COLOR	Blue, Gray..... Various Colors Can Be Customised



Blue



Gray

Various Colors Can Be Customised



Intertek
5010519
2-HR-W-C



FEATURES & BENEFITS

- Designed and listed for use with non-metallic sheathed cable in accordance with Article 314 of the National Electrical Code®, they make fast work of any residential or light commercial application.
- Non-metallic boxes feature PPO construction for easier installation, greater performance and lower installation cost.
- All PPO boxes are permissible for use with 90° C connectors.
- Wiring System Non-metallic sheathed cable.
- Various Colors Can Be Customised.
- ETL Listed and carries a 2-hour fire rating.

