

PROJECT: \_\_\_\_\_

CATALOGUE #: \_\_\_\_\_

FIXTURE TYPE: \_\_\_\_\_

NOTES: \_\_\_\_\_

**BAA-023**

# 15 AMP DUAL USB RECEPTACLE (TAMPER RESISTANT)

## DESCRIPTION

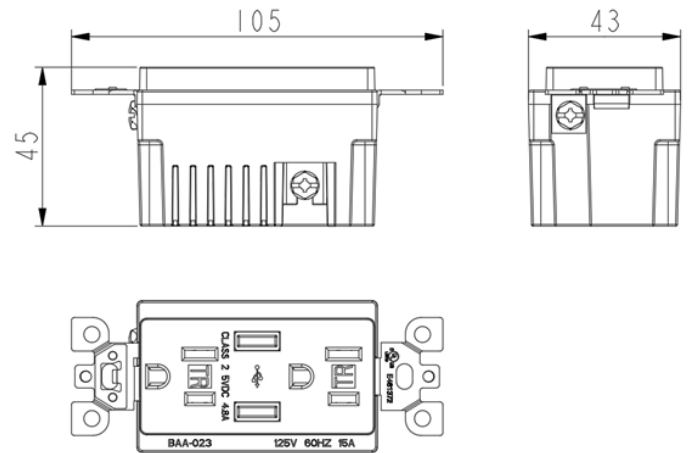
1. Smart System: Built-in smart chip recognizes the individual device's charging requirement to optimize the charge.
2. Safety: Fireproof housing and high-quality components for long service life.
3. Unique 2 USB Ports: Charges two USB devices without adapters.
4. Tamper resistant(TR): TR design increases the electrical safety level by preventing the attempting to insert objects in to the outlet or open the plate.



## COMMON TECHNICAL DATA

Size	105*43*45mm
Color	Cover: White (Customizable) Base: Black (Customizable)
Enclosure	PC
Terminal	Copper Alloy   Acid Pickling
Mounting Yoke	Zinc Plated Steel
Weight	111g
Certification	cULus
Standards	UL 498&CSA C22.2 No. 42-10
Receptacle Rating	15A/125Vac/60hZ
USB Rating	5 VDC/4.8A
Dielectric Voltage Withstand	1.25KV/1min
Flame Class	UL-94 V2
Wire	12-14 AWG

## DIMENSIONS



DISTRIBUTED BY:



1010 Martin Luther King Jr. Pkway.  
Suite 200  
Durham, NC 27713  
www.epoweron.com

Contents are subject to change without notice.