



PROJECT: \_\_\_\_\_  
 CATALOGUE #: \_\_\_\_\_  
 FIXTURE TYPE: \_\_\_\_\_  
 NOTES: \_\_\_\_\_

# LED DOUBLE RING FLUSH MOUNT EPDR

## FEATURES

**INTENDED USE**  
 This Double ring Flush mount ceiling light is designed to blend into any decor, perfect for living room, hallway, bedroom, foyer, kitchen, stairway, etc.

**CONSTRUCTION**  
 beautiful brushed nickel finish. The modern style combined with the even light distribution makes this light a perfect addition to every room available in a home.

**OPTICS**  
 Our Double ring Flush mount lighting with high-power LED chips save energy up to 80% than halogen lamp, Over 50,000 hour lifespan. Creating warm soft attractive fashionable atmosphere to your home.

**ELECTRICAL**  
 Fixture operates at 120 volts, 60Hz. LONG LIFE, NO MAINTENANCE - With a life span of up to 50,000 hours and a built-in LED this fixture is an ideal, no maintenance lighting solution.  
 Select CCT during installation: 2700K, 3000K, 3500K, 4000K or 5000K.

**INSTALLATION**  
 Just need 2 steps to complete the installation. (1) Install the light base under the ceiling. (2) then screw the light onto the base. Before you start, make sure to turn off the power.

**LISTINGS**  
 UL certified for top quality standards and safe operation.

**WARRANTY**  
 5-year limited warranty. Complete warranty terms located at: [www.epoweron.com](http://www.epoweron.com)

**NOTE:**  
 Actual performance may differs a result of end-user environment and application. All values are design or typical values, measured under laboratory conditions at 25C. Specifications subject to change without notice.

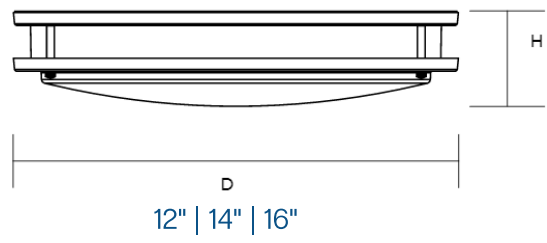


## SPECIFICATIONS

Model Number	Rated Voltage	Rated Wattage	Power Factor	Dimmable	Lumens	CRI	CCT	SIZE
EPDR00210700	120V	16W	>0.9	Triac	1200LM	90	3000/4000/5000K selectable	12"
EPDR00310700	120V	22W	>0.9	Triac	1700LM	90	3000/4000/5000K selectable	14"
EPDR00410700	120V	26W	>0.9	Triac	2000LM	80	3000/4000/5000K selectable	16"

## DIMENSIONS

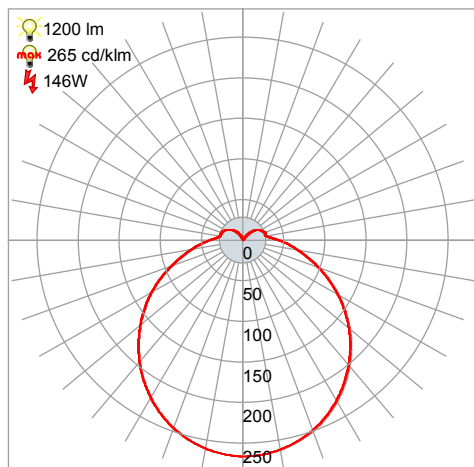
ITEM	D	H
EPDR00210700	12"	3.50"
EPDR00310700	14"	3.74"
EPDR00410700	16"	3.97"



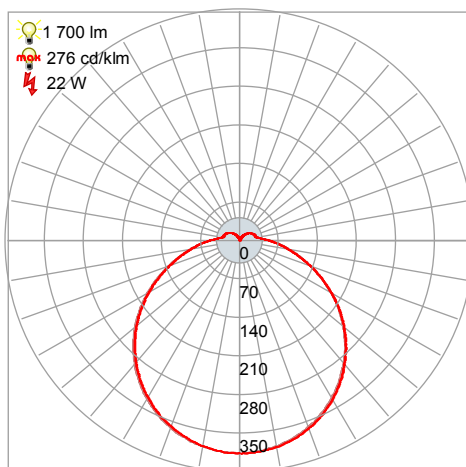
1010 Martin Luther King Jr. Pkway.  
 Suite 200  
 Durham, NC 27713  
[www.epoweron.com](http://www.epoweron.com)

Contents are subject to change without notice.

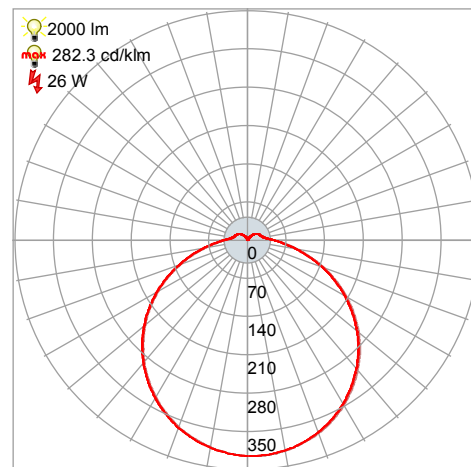
# LIGHTING DISTRIBUTION



EPDR00210700



EPDR00310700



EPDR00410700

## UPC CODES

Product Code	Product Description	Box UPC Code	Case UPC Code
EPDR00210700	DOUBLE RING FLUSH MOUNT 12" 14W 120V 0.9PF TRIAC 90CRI 3CCT SELECTABLE BRUSHED NICKEL 1PK	822985531306	10822985531303
EPDR00310700	DOUBLE RING FLUSH MOUNT 14" 120V 0.9PF TRIAC 90CRI 3CCT&3WATT SELECTABLE BRUSHED NICKEL 1PK	822985531313	10822985531310
EPDR00410700	DOUBLE RING FLUSH MOUNT 16" 120V 0.9PF TRIAC 90CRI 3CCT&3WATT SELECTABLE BRUSHED NICKEL 1PK	822985531320	10822985531327

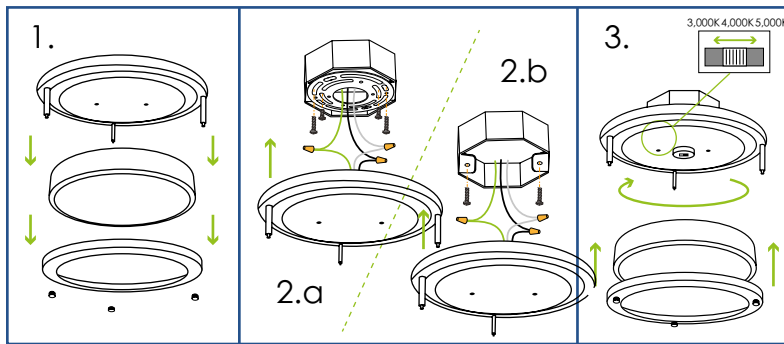


**ePowerOn**

1010 Martin Luther King Jr. Pkway.  
Suite 200  
Durham, NC 27713  
www.epoweron.com

Contents are subject to change without notice.

## INSTALLATION STEPS



**Step1:** Unscrew three cap nuts counter-clockwise,remove metal ring and the lens.

**Step2:**

a, For single CCT fixtures. Attach the mounting bracket to the junction box using screws. Connect the wires:Black to Black, White to White, Green to Green.Carefully tuck all wires back into the junction Box.

b, For 3CCT fixtures.Attach two screws to the junction box. Connect the wires:Black to Black, White to White, Green to Green. Carefully tuck all the wires backinto the junction box.

**Step3:**

Place the fixture pan over the mounting bracket and feed fixture screwsthrough keyhole slots. Rotate the fixture pan clockwise until screws lock into thenarrow end of the keyhole slots and tighten screws firmly. Secure the lens andmetal ring to fixture pan using three cap nuts. For fixtures with color adjustableoption choose either 3000K, 4000K or 5000K with a simple switch.

## PACKING STRUCTURE

Model Number	Inner pack				Outer pack					Pallet(H 84")	
	Length (in)	Width (in)	Height (in)	Pieces	Width (in)	Length (in)	Height (in)	Pieces	G.W (LBS)	Cases	Pieces
EPDR00210700	13.19	5.31	13.19	1	32.99	13.98	13.98	6	28.16	24	144
EPDR00310700	15.20	5.31	15.20	1	32.95	15.87	16.06	6	28.16	15	90
EPDR00410700	17.17	5.31	17.17	1	22.40	17.76	17.99	4	18.92	24	96