

FEATURES

INTENDED USE

Provides general illumination in commercial and residential applications. Ideal for use in foyers, hallways, corridors, living rooms, bedrooms, offices, stairways and more.

CONSTRUCTION

LED oval double ring applies new material to create a cozy environment, giving no humming and makes this fixture completely glare-free providing more natural light.

OPTICS

The 32inch oval double ring use the world's leading LED chips with higher lumens and lower power. 2400LM consumes 30Watts, saving you up to 90% in energy costs.

ELECTRICAL

Fixture operates at 120 volts, 60Hz. 32"unit standard input = 30watts, 80 lumens per watt.

DIMMABLE

Seamless dimming capabilities (100%-10%) to suit any mood or decor. Our baffle trim recessed lighting fixtures offer instant start up with no warm up. Easily adjust sizing to fit.

INSTALLATION

Follow our installation guide for a quick and easy setup. Suitable for damp locations. Directly install retrofit fixture to the ceiling J-box in your kitchen, family room, bedroom, bathroom, and common areas in your home or office.

LISTINGS

ETL certified to be brighter than existing fixtures in your home.

WARRANTY

5-year limited warranty. Complete warranty terms located at: www.epoweron.com

NOTE:

Actual performance may differ as a result of end-user environment and application. All values are design at typical values, measured under laboratory conditions at 25C. Specifications subject to change without notice.

OVAL DOUBLE RING EPDR0011



SPECIFICATIONS

ITEM	Voltage	Wattage	Lumens	CCT	CRI	Finish	Environment	Dimming	Size
EPDR00110700	120V	30W	2400Lm	2700K/3000K/3500K/4000K/5000K>Selectable	80	Brushed Nickel	Damp Location	TRAIC (10-100%)	32"

Manufactured by:

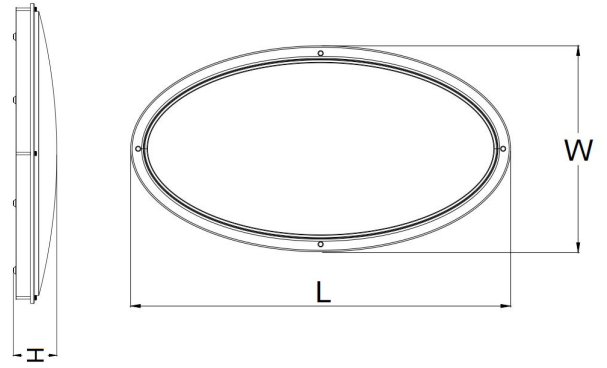


1010 Martin Luther King Jr. Pkway.
 Suite 200
 Durham, NC 27713
www.epoweron.com

Contents are subject to change without notice.

DIMENSIONS

Model Number	Size	H	W	L
EPDR00110700	32"	4.72"	18.11"	32.28"

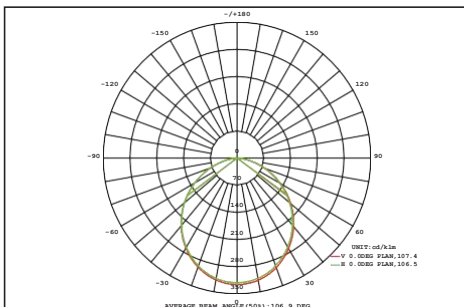


TEST REPORT

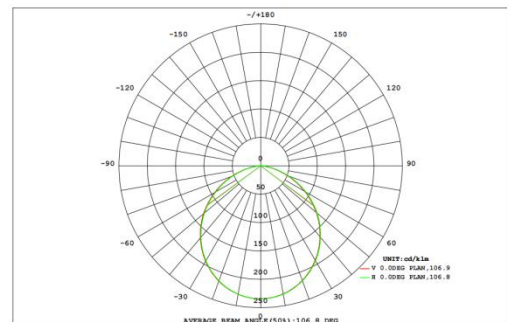
ITEM	Voltage	Wattage	Withstand voltage test	Ringing wave test (L-N)	Ringing wave test (L/N-G)
EPDR00110700	120V	30W	1500VAC 1 Minute	1000V	2500V

LIGHTING DISTRIBUTION

LUMINAIRE PHOTOMETRIC TEST REPORT FOR 6"



LUMINAIRE PHOTOMETRIC TEST REPORT FOR 4"



Manufactured by:

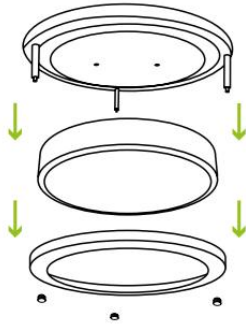


1010 Martin Luther King Jr. Pkway.
Suite 200
Durham, NC 27713
www.epoweron.com

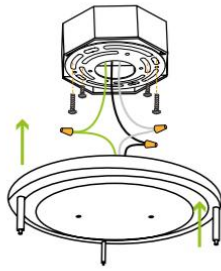
Contents are subject to change without notice.

INSTALLATION STEPS

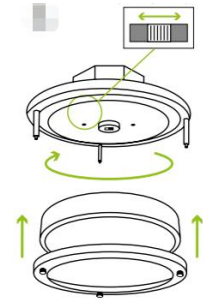
1. Make sure power is turned off at the source before installing the fixture and the J-box is securely mounted ,This fixture is compatible with (2.75",3.5"J-box)
2. Unscrew three cap nuts counter-clockwise,remove metal ring and the lens.
3. Connect the lamp body to the junction box using screws. Connect Wire: black to black, white to white, green to green. Carefully plug all wires back into the junction box
4. Place the fixture pan over the mounting bracket and feed fixture screwsthrough keyhole slots. Rotate the fixture pan clockwise until screws lock into then arrow end of the keyhole slots and tighten screws firmly. Secure the lens andmetal ring to fixture pan using three cap nuts.



STEP 1



STEP 2



STEP 3

Steps for Surface Mount Installation

PACKING STRUCTURE

Model Number	Inner pack				Outer pack					Pallet(H 84")	
	Length (in)	Width (in)	Height (in)	Pieces	Width (in)	Length (in)	Height (in)	Pieces	G.W (LBS)	Cases	Pieces
EPDR00110700	32.88	18.7	5.31	1	33.66	19.5	11.42	2	15.84	18	36