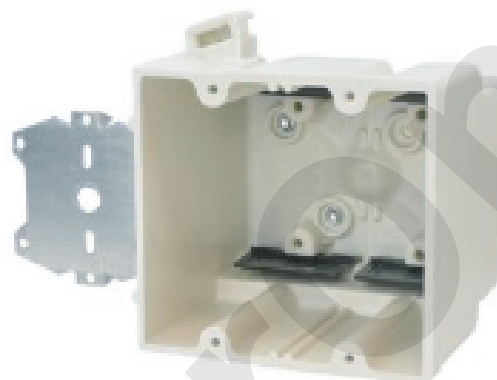


FIBER GLASS OUTLET BOX

MODEL NUMBER	FG02N-ADJ
CUBIC CAPACITY	37 Cubic Inches
DESCRIPTION	2-Gang Off-White Adjustable Bracket Fiberglass New Work Deep Switch/Outlet Interior Electrical Box.
MATERIAL	BMC
MOUNTING MEANS	Adjustable Bracket
PRODUCTS SIZE L×W×D	4"×3-3/4"×3-7/16"
OUTER BOX SIZE L×W×D(CM)	51×45.5×32.7
STD. CTN. QTY.	60 Pcs
CERTIFICATIONS	ISO9001, ISO14001, ETL5010519, 2-hour fire rating
COLOR	Off-White



Intertek
5010519
2-HR-W



FEATURES & BENEFITS

- Knockouts on fiberglass boxes are complete, reducing drafts and easily removed with wire for no tools installation
- Device holes are pre-tapped and tapered for secure device installation and drastically reduce device pull out
- Fiberglass boxes feature factory installed Speed Clamps to provide a secure hold on installed wiring
- Offset gauge marks on the box give positive stop for the proper wall thickness
- Leveling ribs position the face of the box parallel to the wall surface
- High Strength Fiberglass Reinforced Polyester Material
- Non-distorting in high heat, impact resistant in cold temps
- Machine tapped device holes for faster installation
- ETL Listed and carries a 2-hour fire rating

