

FEATURES

INTENDED USE

Provides general illumination in commercial and residential applications. Ideal for use in foyers, hallways, corridors, stairways and more.

CONSTRUCTION

Patio Light applies aluminum material to create a cozy environment, giving no humming and makes this fixture completely glare-free providing more natural light.

ELECTRICAL

Fixture operates at 120 volts, 60Hz, E26 medium base, 60W Max.

INSTALLATION

Follow our installation guide for a quick and easy setup. Suitable for wet locations. Directly install fixture to the J-box in foyers, hallways, corridors, stairways and more.

LISTINGS

ETL certified to be brighter than existing fixtures in your home.

WARRANTY

5-year limited warranty. Complete warranty terms located at: www.epoweron.com

NOTE:

Actual performance may differ as a result of end-user environment and application. All values are design at typical values, measured under laboratory conditions at 25C. Specifications subject to change without notice.

PATIO LIGHT MG02PT00100100

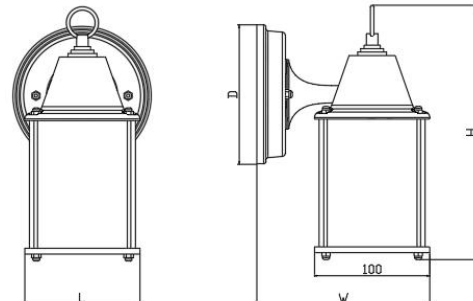


SPECIFICATIONS

ITEM	Voltage	Material	Finish	Installation
MG02PT00100100	120VAC	Aluminum+Glass	Black	Wet Location

DIMENSIONS

Model Number	H	D	W	L
MG02PT00100100	8.6"	4.7"	5.9"	3.9"



Manufactured by:



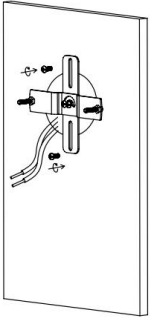
1010 Martin Luther King Jr. Pkway.
 Suite 200
 Durham, NC 27713
www.epoweron.com

Contents are subject to change without notice.

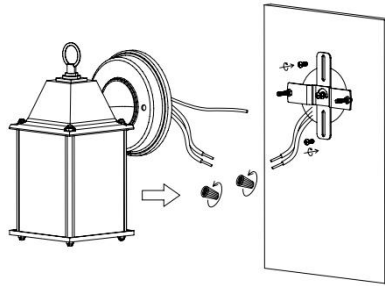
INSTALLATION STEPS

- 1、 Make sure power is turn off at the source before installing the fixture and the J-box is securely mounted (This fixture is compatible with 2.75",3.5" or 4" J-box)
- 2、 Fixing bracket on terminal box
- 3、 Connect the fixture wires and secure the connection using wire nuts
- 4、 Carefully route wires into the J-box and align two holes in the fixture with J-box mounting cross bar .Use screws to attach one to another.Do not over tighten
- 5、 Put Patio Light through the screw column and fix it with nut
- 6、 Finally,install the bulb lamp to be installed from the bottom of the Patio Light

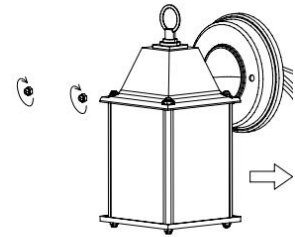
STEP 1



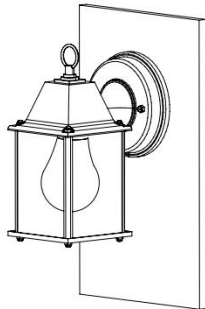
STEP 2



STEP 3



STEP 4



Steps for Surface Mount Installation

PACKING STRUCTURE

Model Number	Inner pack				Outer pack					Pallet(H 84")	
	Length (in)	Width (in)	Height (in)	Pieces	Width (in)	Length (in)	Height (in)	Pieces	G.W (LBS)	Cases	Pieces
MG02PT00100100	6.3	5.1	9.25	1	16.34	13.39	18.89	12	23.18	45	540